

Technical Data**BOMAG
BW 100 AD-5****BOMAG
BW 120 AD-5****Weights**

Operating weight w. ROPS CECE	kg	2.500	2.700
Average static linear load CECE	kg/cm	12,5	11,3
Grossweight	kg	3.000	3.150

Dimensions

Working width	mm	1.000	1.200
Track radius, inner	mm	2.550	2.450

Driving Characteristics

Speed	km/h	0- 9,0	0- 9,0
Working speed with vibration	km/h	0- 5,0	0- 5,0
Max. gradeability without/with vibr.	%	40/30	40/30

Drive

Engine manufacturer		Deutz	Deutz
Type		D 2.2	D 2.2
Emission stage		Stage V / TIER4f	Stage V / TIER4f
Cooling		water	water
Number of cylinders		3	3
Performance ISO 14396	kW	18,4	18,4
Performance SAE J 1995	hp	25,0	25,0
Speed	min-1	2.300	2.300
Electric equipment	V	12	12
Driven drum		front + rear	front + rear

Brakes

Service brake		hydrost.	hydrost.
Parking brake		hydromec.	hydromec.

Steering

Steering system		oscil.artic.	oscil.artic.
Steering method		hydrost.	hydrost.
Steering / oscillating angle +/-	grad	32/10	32/10
Crab walk	mm	0- 50	0- 50

Exciter system

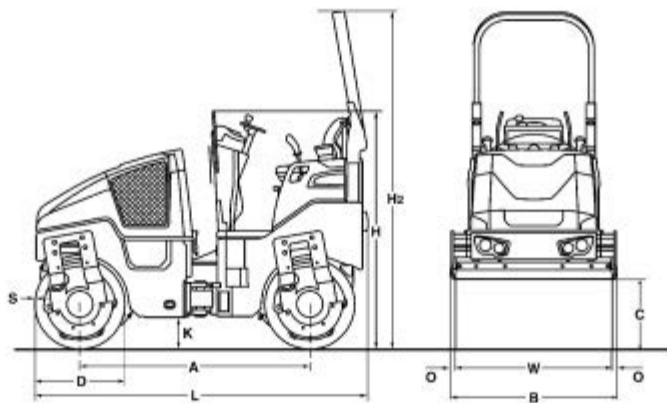
Vibrating drum		front + rear	front + rear
Drive system		hydrost.	hydrost.
Frequency	Hz	64/54	64/54
Amplitude	mm	0,50	0,50
Centrifugal force	kN	32/24	41/29

Sprinkler System

Type of sprinkling		pressure	pressure
--------------------------	--	----------	----------

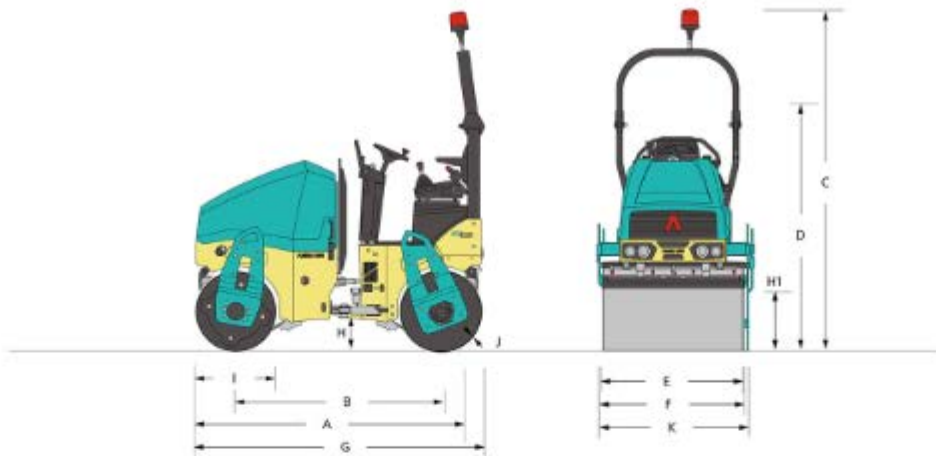
Capacities

Fuel	l	35,0	35,0
Water	l	205,0	205,0



Dimensions in mm

	A	B	C	D	H	H2	K	L	O	S	W
BW 100 AD-5	1752	1072	523	700	1808	2568	254	2529	36	13	1000
BW 120 AD-5	1752	1272	523	700	1808	2568	254	2529	36	13	1200



ARX 26-2 TANDEM ROLLER (EU Stage V / U.S. EPA Tier 4 final)

DIMENSIONS

A = MACHINE LENGTH	2500 mm
B = WHEELBASE	1740 mm
C = MACHINE HEIGHT	2550 mm
D = MACHINE HEIGHT (FOLDED ROPS)	1935 mm
E = DRUM WIDTH	1200 mm
F = WORKING WIDTH WITH OFFSET	1240 mm
G = MACHINE LENGTH (FOLDED ROPS)	2585 mm
H = GROUND CLEARANCE	280 mm
H1 = SIDE CLEARANCE	490 mm
I = DRUM DIAMETER	695 mm
J = DRUM SHELL THICKNESS	13 mm
K = MACHINE WIDTH (TOTAL)	1350 mm

WEIGHT AND OPERATING CHARACTERISTICS

OPERATING WEIGHT	2515 kg
OPERATING WEIGHT MAX.	2710 kg
STAT. LIN. LOAD OF FRONT DRUM	10.3 kg/cm
STAT. LIN. LOAD OF REAR DRUM	11 kg/cm
TURNING RADIUS INSIDE	2540 mm