

C.A.T³ and Genny³ User Guide

C.A.T³ and Genny³
C.A.T³V and Genny³
C.A.T³+ and Genny³



This User Guide covers the use of the C.A.T³ and Genny³ series of C.A.T and Genny locator which is available in three versions.

- C.A.T³ providing four functions and an audio signal indicator (speaker)
- C.A.T³V providing four functions, audio and visual indication (LCD display)
- C.A.T³+ providing four functions, audio and visual indication and depth estimation in Genny mode
- Both the C.A.T³+ and C.A.T³V may be fitted with the Power StrikeAlert™ feature that detects shallow cables radiating power or Genny signals

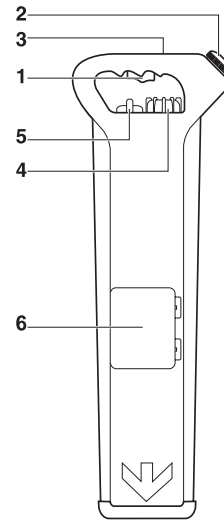
The C.A.T³ and Genny³ series of locator are identified by their grey housing.

The Genny³ is compatible with all three versions of C.A.T³ and also with previous 33kHz C.A.T models.



C.A.T³ Locator features

- 1 On/Off
Press and hold to use C.A.T³
- 2 Loudspeaker
Detachable speaker for use in noisy environments
- 3 LCD Meter
Only on C.A.T³V and C.A.T³+ models
- 4 Sensitivity Control
- 5 Function Switch
Selects locate mode
- 6 Battery compartment
To replace batteries, open the access cover using a screwdriver or coin. Use two LR20 or D type alkaline batteries (or equivalent NiMH rechargeable batteries)

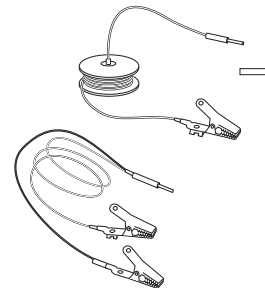
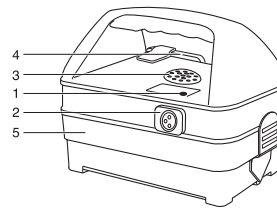


WARNING

When using the C.A.T³ in noisy environments, the speaker can be detached and held closer to the ear. To avoid excessive noise exposure it is advisable to hold the speaker no closer than 15cm (6") from the ear. Prolonged use at this level should be avoided.

Genny³ Transmitter features

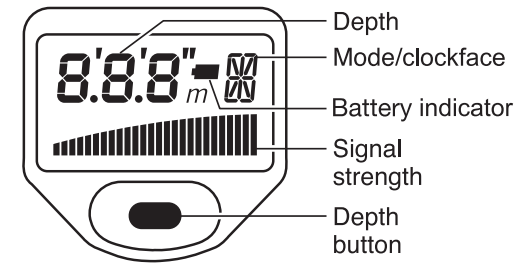
- 1 On/Off button
Press to switch On and Off. Press and hold to reduce volume
- 2 Direct connection socket
- 3 Loudspeaker
- 4 Battery compartment
To replace batteries, open the access cover using a screwdriver or coin. Use four LR20 or D type alkaline batteries (or equivalent NiMH rechargeable batteries)



5 Storage compartment
Holding connection cable,
Ground stake and ground cable

6 Pulse/Continuous switch

C.A.T³V and C.A.T³+ LCD features



The main features of the C.A.T³V and C.A.T³+ are the same as the C.A.T³ but the addition of a liquid crystal display brings further features.

- Depth (C.A.T³+ only)
- Battery indicator (flashing icon indicates that batteries are getting low)
- Signal strength indicator
- Mode/clockface indicator
- Depth button

Note the Genny³ is compatible with all 33kHz versions of C.A.T³ / C.A.T³V / C.A.T³+

Operation of Power, Radio and AvoidanceScan™ modes

Regularly check your C.A.T³ and Genny³, in all modes, over a cable which gives a response you are familiar with.

AvoidanceScan™

Use the AvoidanceScan™ mode to undertake an initial sweep of an area to be excavated. AvoidanceScan™ will detect all modes simultaneously.

Power signals:- radiated by loaded, unbalanced cables. These signals are also found on other nearby conductors that 're-radiate' the power signal.

Radio signals:- originate from distant radio transmitters. These penetrate the ground and are re-radiated by buried conductors. However, they are not always present.

Genny signals:- present on buried conductors that have had a Genny signal applied. There are various ways of applying the Genny signal (see Locating with the C.A.T³ and Genny³).

Using AvoidanceScan™

Grip the handle.

Squeeze trigger and listen for bleep indicating the batteries are OK. Replace both batteries if there is no bleep or if the battery icon is flashing.

Turn Function Switch to A (AvoidanceScan™) to sweep the area for conductors radiating Power, Radio or Genny signals. In this mode the depth button will not be active (CAT+) and the sensitivity control will only adjust the Genny signal level. (P and R will be set to maximum sensitivity).

Keep the sensitivity at maximum unless there is a blanket Genny signal, in which case turn down the sensitivity until the blanket Genny signal is reduced to a usable level.

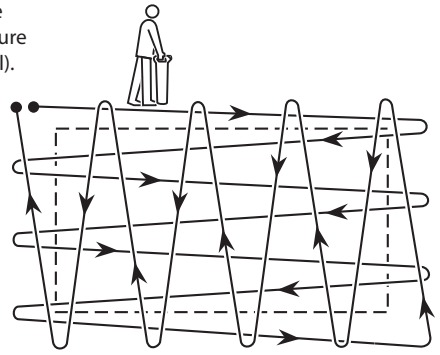
Note

Best results are obtained in the AvoidanceScan™ mode when the Genny is set to pulse operation.

Sweep the area to be excavated with a steady and deliberate motion. Hold the C.A.T³ with the blade vertical and with the bottom end just above the ground. Ensure the whole area is covered by adopting a grid pattern.

Maximum meter (C.A.T³V and C.A.T³+) and speaker response indicates the position of a buried conductor.

If necessary switch to a dedicated mode (P/R or G) to pinpoint the conductor, adjusting the signal level control to give a narrow locate band over the conductor. Rotate the C.A.T³ to give maximum response. The C.A.T³ is now at right angles to the conductor. (This can be less precise in the power mode because of the nature of the power signal).



Trace the buried conductor keeping the C.A.T³ vertical and moving it steadily from side to side. Follow the line of the buried conductor marking it with chalk or paint across the area to be excavated.

Switch back to AvoidanceScan™ mode to resume the sweep of the area to be excavated.

Operation of Power and Radio modes

Power and Radio modes can be used independently of AvoidanceScan™ and it is recommended that this is done to pinpoint services in very congested areas.

Regularly check your C.A.T³ and Genny³, in all modes, over a cable which gives a response you are familiar with.

Using Power mode

Select Power using the function switch.

Grip the handle.

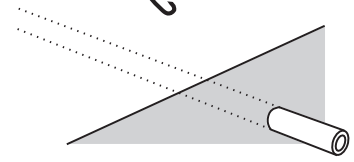
Squeeze trigger and listen for bleep indicating the batteries are OK. Replace both batteries if there is no bleep or if the battery icon is flashing.

Rotate the Sensitivity Control fully clockwise for maximum sensitivity but reduce if there is a blanket signal across the site.

Define the area to be excavated and carry out a grid pattern sweep as described in AvoidanceScan™.



The presence of a buried metallic pipe or cable will be indicated by a tone emitted from the speaker. Keep the blade of the C.A.T³ vertical and move slowly backwards and forwards over the cable or pipe, reducing the sensitivity for a narrower response. If using a C.A.T³V or C.A.T³+, use the meter deflection to aid pinpointing. Maximum meter deflection indicates the position of the conductor.



Trace the conductor out of the area, marking the position with chalk or paint.

StrikeAlert™ (check for StrikeAlert™ Activation Sticker on the side of the C.A.T³ next to the meter). If the StrikeAlert™ option is activated (C.A.T³V or C.A.T³+ versions) the mode icon will flash a ' ' when the locator detects a shallow cable radiating a power or Genny signal. This is a useful shallow cable indicator but it should be remembered that not all live power cables radiate a signal that the C.A.T³ can detect.

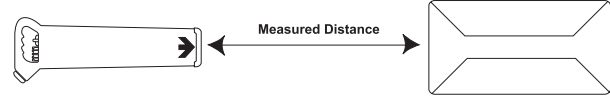
Do not use the StrikeAlert™ feature to confirm the area is free from shallow cables.

ALWAYS DIG WITH CAUTION.

Functional Test

C.A.T³ / C.A.T³V / C.A.T³+

- Set the Genny³ to pulsed operation, switch on and place on the ground
- Check there is an audible sound from the speaker
- Place the C.A.T³ flat on the ground and pointing toward the Genny³



With the sensitivity switched on aModed set to maximum sensitivity, check that the audio response (which should be synchronised with the Genny³ audio output) as detailed in the table below.

Mode	Test Distance	Audio Output
Power	30cm (1ft)	Pulsed, clearly audible
Radio	1.5m (5ft)	Pulsed, clearly audible
Genny	15m (50ft)	Pulsed, very high volume
Avoidance	15m (50ft)	Pulsed, very high volume

Mouse transmitters for non-metallic pipe location

These devices have relatively short battery lives. They should always be fitted with new batteries before use. Insert one battery and use a tested C.A.T³, C.A.T³V or C.A.T³+ to confirm that the Mouse can be located at 4 metres. Remember that the C.A.T³ blade must be in line with the Mouse which is the opposite to that which is normally used for pipe or cable locating.



Radiodetection

Radiodetection Ltd, Western Drive, Bristol BS14 0AF, UK
Tel: +44 (0) 117 976 7776 Fax: +44 (0) 117 976 7775
email:sales.uk@radiodetection.spx.com

Radiodetection, 154 Portland Road, Bridgton, Maine 04009, USA
Toll free: 1-877-247-3797 Tel: (207) 647-3185 Fax: (207) 647-9596
email bridgton@radiodetection.spx.com

www.radiodetection.com

Service and Maintenance
The C.A.T³ and Genny³ are designed so that they do not require regular calibration. However, as with all safety equipment, it is recommended that they are serviced at least once a year either at Radiodetection or an approved repair centre.

Radiodetection products are under continuous development and are subject to change without notice.

Using Radio mode

Set the Function Switch to Radio.

Follow the same procedure as outlined in 'Using the Power mode'.

WARNING
Increased risk of property damage, death, or serious injury may result if buried utilities, pipes, and cables are not properly located before digging.

Make sure to read and follow all instructions and warnings in the owner's guide when using the C.A.T³ and Genny³.

The C.A.T³ detects most buried cables and conductors, BUT SOME CABLES AND CONDUCTORS (EVEN LIVE ONES) DO NOT RADIATE SIGNALS, SO THE C.A.T³ WILL NOT DETECT THEM. Also, the C.A.T³ does not indicate whether a signal comes from a single cable or conductor or from several cables or conductors buried in close proximity to each other.

When using the C.A.T³, check whether the StrikeAlert™ feature is activated by looking for the 'StrikeAlert™ Activated' labels situated either side of the display.

The StrikeAlert™ feature is activated by cables or conductors radiating a power or Genny signal that the C.A.T³ can detect, BUT NOT ALL LIVE CABLES AND CONDUCTORS RADIATE A SIGNAL THAT THE C.A.T³ CAN DETECT. THEREFORE, NON-ACTIVATION OF THE StrikeAlert™ FEATURE DOES NOT GUARANTEE THAT THE AREA IS CLEAR OF SHALLOW OR LIVE CABLES OR CONDUCTORS.

Even if using a C.A.T³ and Genny³, ALWAYS DIG WITH CAUTION.

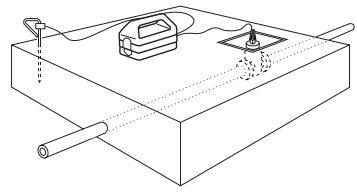
Call your local support number (available from www.radiodetection.com) for questions regarding the proper use, maintenance, and repair of the C.A.T³ and Genny³.

Locating with the C.A.T³ and Genny³

The Genny³ is used to apply a tone to a buried conductor. This signal can be traced using the C.A.T³ locator switched to the Genny mode.

Direct Connection

Direct connection is an efficient form of signal application and is suitable for connection to a valve, meter, junction box or other access point.



WARNING
Connection to a power cable sheath should only be undertaken by qualified personnel.

Method

Decide if the Genny³ is to be switched to pulse or continuous operation. As a guide, depth measurements are best done with a continuous signal. If battery power saving is an issue, switch to pulse operation. A pulsing signal may also be easier to detect as the signal gets weak towards the end of the trace length. The pulse/continuous switch is located on the underside of the Genny³.

Plug the connection lead into the Genny³ connection socket and attach the red lead to the target line. If necessary, clean the connection point to ensure a good electrical contact. If the jaws of the clip do not open far enough, and the connection point is a ferrous material, use the magnet that is on the clip to attach it.

Clip the ground lead to the earth stake which should be placed in the ground 3 or 4 paces away from, and at right angles to the target line.

Alternatively the ground lead may be clipped to the rim of a valve box or manhole cover. Use the earth spool lead to extend the earth connection if necessary.

Switch the Genny³ on. After an initial warble, a good connection is indicated by a drop in loudspeaker tone. If there is no tone or it is a very slow bleep, replace the batteries.

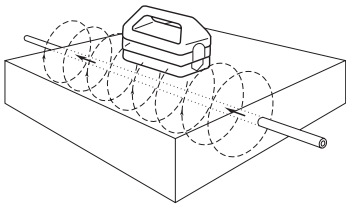
Switch the C.A.T³ to Genny mode (or AvoidanceScan™ if conducting a general sweep) and begin to trace the line from the point of application. Keep the blade of the C.A.T³ vertical and across the probable direction of the line. Move slowly backwards and forwards over the conductor, reducing the sensitivity for a narrower response. If using the C.A.T³V or C.A.T³+, use the meter deflection to aid pinpointing. Maximum audio and meter deflection will indicate the position of the target line.

When directly over the line and with the sensitivity level set for approximately 3/4 deflection, rotate the C.A.T³ on it's axis until a signal minimum is found. The blade is now in line with the target line. Continue tracing the line as outlined above.

Induction

Induction is a convenient and quick way of applying the Genny³ signal to a pipe or cable where limited access does not permit direct connection or the use of a signal clamp.

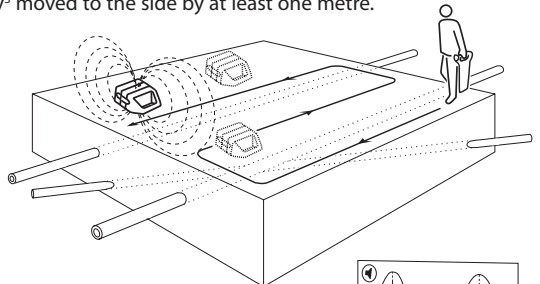
Set the Genny³ to pulse or continuous mode. Place the Genny³ over the assumed position of the conductor and in the orientation shown.



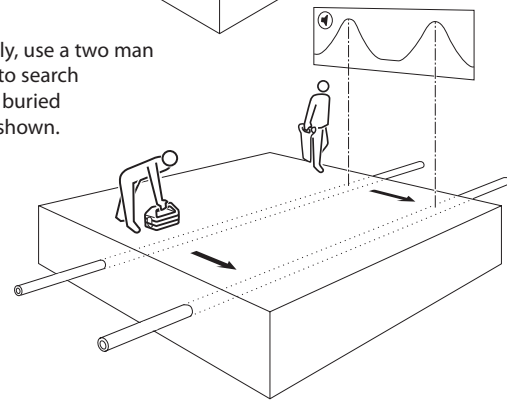
Start tracing the target line at least five paces from the Genny³ with the C.A.T³ set in the Genny mode. Working too close to the Genny³ may give false readings as the C.A.T³ will detect radiated signals directly from the Genny³ rather than the target line.

Active search using Induction

Placing the Genny³ on it's side swamps an area with Genny signal. Note that signal is not transmitted directly below the Genny³ in this orientation, so repeat the exercise with the Genny³ moved to the side by at least one metre.

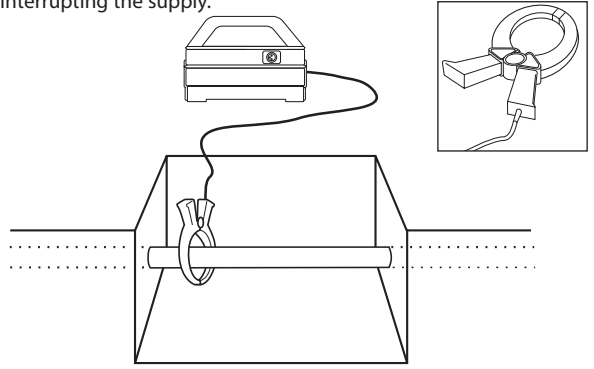


Alternatively, use a two man technique to search an area for buried utilities as shown.



Using the optional Signal Clamp

The Signal Clamp applies a Genny signal safely to a pipe or live cable up to 76mm (3 inches) diameter, without interrupting the supply.



Method

Plug the Clamp into the Genny³ Connection socket.

Place the Clamp around the pipe or cable ensuring the jaws are closed. Switch the Genny³ on. Open and close the Clamp. If the jaws are closing correctly there will be a change in tone as the jaws are closed.

An earth connection, from the Genny³, is not necessary but efficient signal transfer is only achieved if the target line is grounded at both ends. This is usually the case with power cables.

The Signal clamp can be used with the Genny³ set to either pulse or continuous mode.

Using the optional Live Plug Connector

The Live Plug Connector applies the Genny signal to a live domestic power socket and, via the domestic wiring system, to the service and supply cable in the street.

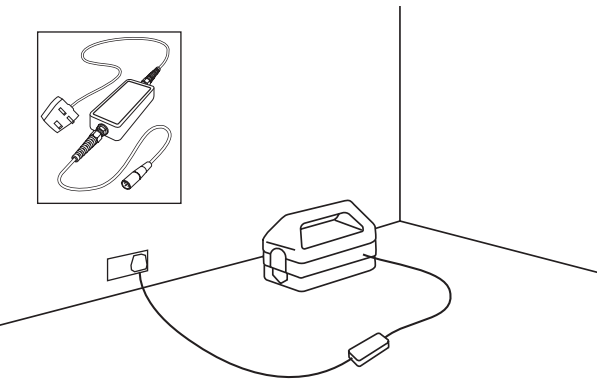
Method

Connect the Live Cable Connector to the Genny³ socket and the mains power socket.

Switch the Genny³ and power socket on.

Note

The Live Plug Connector provides protection to 250Vac.



Using the optional Mouse Signal Transmitter

The Mouse is a small self-contained watertight transmitter which can be detected by the C.A.T³ when switched to the Genny mode.

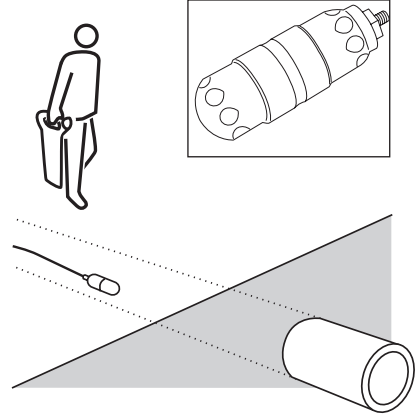
Method

Unscrew the housing and insert the single LR6 or AA type alkaline battery in the orientation shown by the diagram in the battery compartment.

Note

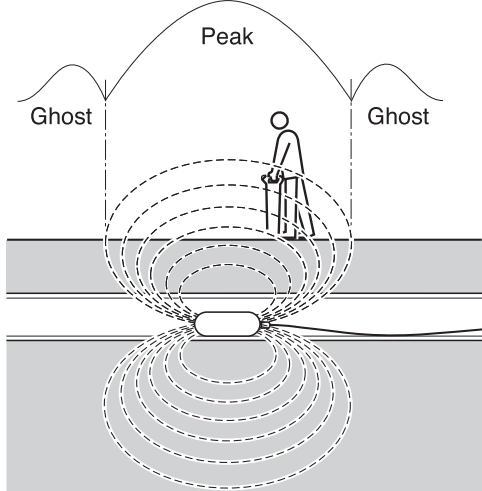
Placing the battery in the incorrect orientation will not harm the Mouse and is a good method of storing the battery when not in use.

Place the Mouse on the ground, set the C.A.T³ to Genny mode and, whilst holding the C.A.T³ in line with the Mouse, check that the signal is being received.



Insert the Mouse approximately 1m/1yd into the duct or drain and adjust the C.A.T³ sensitivity to receive the signal.

Smaller ghost signals appear before and behind the main signal position. Locate all three peaks to be sure the largest middle one is identified as the Mouse position.



Rotating the C.A.T³ about its axis to obtain the largest signal puts the blade of the C.A.T³ in line with the Mouse and is a good way of identifying the direction of the duct or pipe.

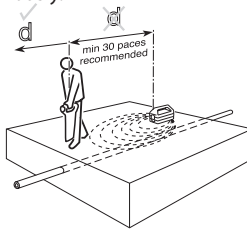
Taking line depth measurements using the C.A.T³+ and Genny³

For best accuracy use the Genny³ in continuous mode (it is possible to perform depth measurements with the Genny³ set to pulse mode but a slight reduction in accuracy may be experienced).

Method

Locate the target line as described previously.

If using the Genny³ in induction ensure that the depth measurement position is at least 30 paces from the Genny. If using direct connection or a signal clamp, this distance can be reduced to approximately 5 paces.



Hold the C.A.T³ still, vertical and at right angles to the buried line. Momentarily depress the depth button. The display will show a moving clockface followed by the depth measurement.

Taking Mouse depth measurements using the C.A.T³+

Depth measurements are only possible when using the C.A.T³+ in the Genny mode with a Mouse+ transmitter, identified with a central orange band.

Method

Locate the main Mouse signal as previously described. Hold the C.A.T³ vertical and in line with the Mouse. Press and hold the depth button until 'M' appears on the display and then release. A clockface will appear in the top right hand corner of the display while the depth calculation is made. The approximate depth to the Mouse will then be displayed.

Note

If the StrikeAlert™ feature is enabled the alarm will activate at approximately 1.2m when locating a sonde. If this is an inconvenience, the StrikeAlert™ feature can be disabled in the Genny mode by pressing and holding the depth button for the duration of the battery test bleep at switch on.

C.A.T³+/C.A.T³V error codes

Error messages

Flashing **---** indicates conductor out of range.

--- indicates depth attempted in radio which is not allowed.

--- not possible to indicate depth eg, high interference.

WARNING

Do not use the C.A.T³+ depth measurement to decide if mechanical digging over a buried conductor is appropriate.