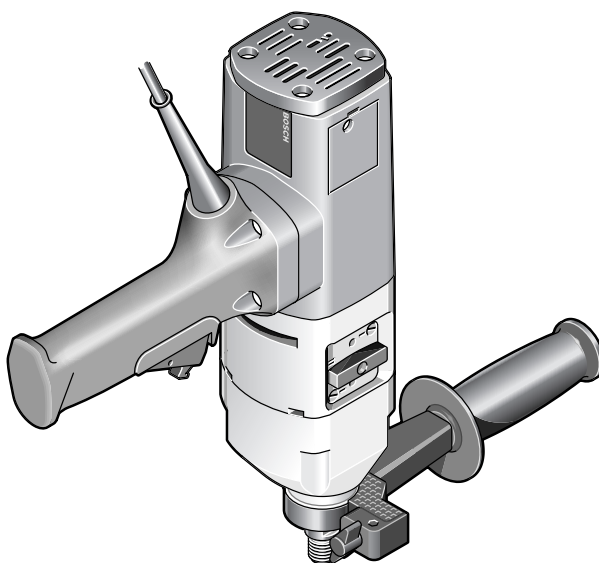


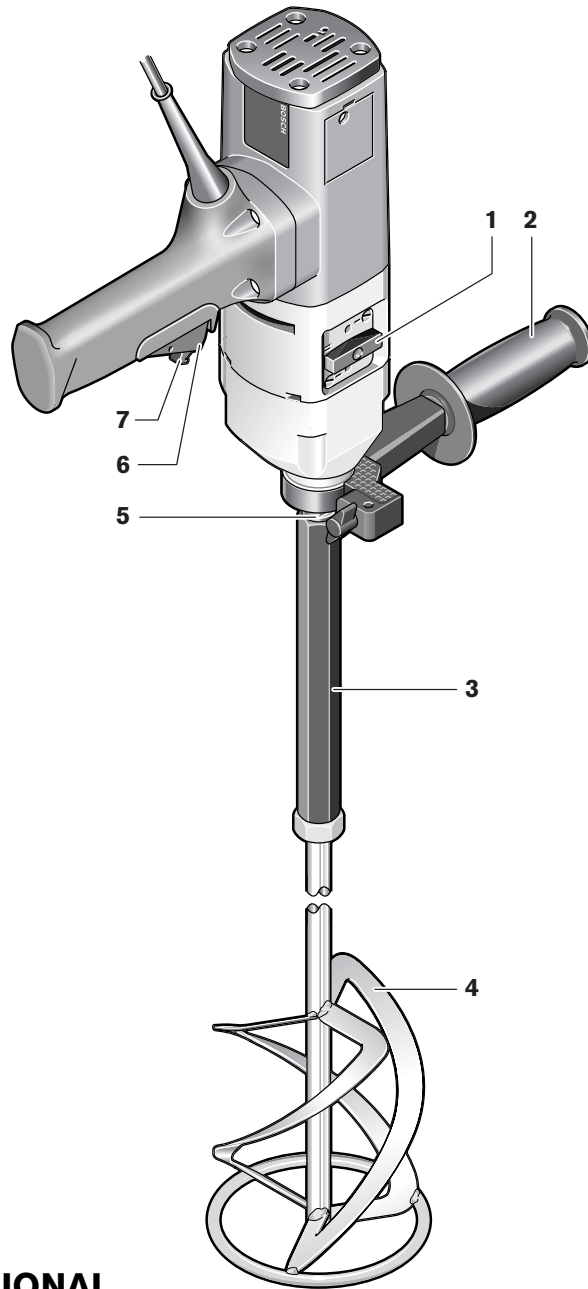
# GRW 11 E PROFESSIONAL



# BOSCH

**Bedienungsanleitung**  
**Operating instructions**  
**Instructions d'emploi**  
**Instrucciones de servicio**  
**Manual de instruções**  
**Istruzioni d'uso**  
**Gebruiksaanwijzing**  
**Betjeningsvejledning**  
**Bruksanvisning**  
**Brukerveiledningen**  
**Käyttöohje**  
**Οδηγία χειρισμού**  
**Kullanım kılavuzu**





**GRW 11 E  
PROFESSIONAL**

## General Power Tool Safety Warnings

**⚠ WARNING** Read all safety warnings and all instructions. Failure to follow the warnings and instructions may result in electric shock, fire and/or serious injury.

**Save all warnings and instructions for future reference.**

The term "power tool" in the warnings refers to your mains-operated (corded) power tool or battery-operated (cordless) power tool.

### 1) Work area safety

- a) **Keep work area clean and well lit.** Cluttered or dark areas invite accidents.
- b) **Do not operate power tools in explosive atmospheres, such as in the presence of flammable liquids, gases or dust.** Power tools create sparks which may ignite the dust or fumes.
- c) **Keep children and bystanders away while operating a power tool.** Distractions can cause you to lose control.

### 2) Electrical safety

- a) **Power tool plugs must match the outlet. Never modify the plug in any way. Do not use any adapter plugs with earthed (grounded) power tools.** Unmodified plugs and matching outlets will reduce risk of electric shock.
- b) **Avoid body contact with earthed or grounded surfaces, such as pipes, radiators, ranges and refrigerators.** There is an increased risk of electric shock if your body is earthed or grounded.
- c) **Do not expose power tools to rain or wet conditions.** Water entering a power tool will increase the risk of electric shock.
- d) **Do not abuse the cord. Never use the cord for carrying, pulling or unplugging the power tool. Keep cord away from heat, oil, sharp edges and moving parts.** Damaged or entangled cords increase the risk of electric shock.
- e) **When operating a power tool outdoors, use an extension cord suitable for outdoor use.** Use of a cord suitable for outdoor use reduces the risk of electric shock.
- f) **If operating a power tool in a damp location is unavoidable, use a residual current device (RCD) protected supply.** Use of an RCD reduces the risk of electric shock.

### 3) Personal safety

- a) **Stay alert, watch what you are doing and use common sense when operating a power tool. Do not use a power tool while you are tired or under the influence of drugs, alcohol or medication.** A moment of inattention while operating power tools may result in serious personal injury.
- b) **Use personal protective equipment. Always wear eye protection.** Protective equipment such as dust mask, non-skid safety shoes, hard hat, or hearing protection used for appropriate conditions will reduce personal injuries.
- c) **Prevent unintentional starting. Ensure the switch is in the off-position before connecting to power source and/or battery pack, picking up or carrying the tool.** Carrying power tools with your finger on the switch or energising power tools that have the switch on invites accidents.
- d) **Remove any adjusting key or wrench before turning the power tool on.** A wrench or a key left attached to a rotating part of the power tool may result in personal injury.
- e) **Do not overreach. Keep proper footing and balance at all times.** This enables better control of the power tool in unexpected situations.
- f) **Dress properly. Do not wear loose clothing or jewellery. Keep your hair, clothing and gloves away from moving parts.** Loose clothes, jewellery or long hair can be caught in moving parts.
- g) **If devices are provided for the connection of dust extraction and collection facilities, ensure these are connected and properly used.** Use of dust collection can reduce dust-related hazards.

### 4) Power tool use and care

- a) **Do not force the power tool. Use the correct power tool for your application.** The correct power tool will do the job better and safer at the rate for which it was designed.
- b) **Do not use the power tool if the switch does not turn it on and off.** Any power tool that cannot be controlled with the switch is dangerous and must be repaired.
- c) **Disconnect the plug from the power source and/or the battery pack from the power tool before making any adjustments, changing accessories, or storing power tools.** Such preventive safety measures reduce the risk of starting the power tool accidentally.
- d) **Store idle power tools out of the reach of children and do not allow persons unfamiliar with the power tool or these instructions to operate the power tool.** Power tools are dangerous in the hands of untrained users.

- e) **Maintain power tools. Check for misalignment or binding of moving parts, breakage of parts and any other condition that may affect the power tool's operation. If damaged, have the power tool repaired before use.** Many accidents are caused by poorly maintained power tools.
- f) **Keep cutting tools sharp and clean.** Properly maintained cutting tools with sharp cutting edges are less likely to bind and are easier to control.
- g) **Use the power tool, accessories and tool bits etc. in accordance with these instructions, taking into account the working conditions and the work to be performed.** Use of the power tool for operations different from those intended could result in a hazardous situation.

#### 5) Service

- a) **Have your power tool serviced by a qualified repair person using only identical replacement parts.** This will ensure that the safety of the power tool is maintained.

## Machine-specific Safety Warnings

- ▶ **Do not use the power tool for explosive materials (e.g., easily inflammable solvents).** Power tools produce sparks which could ignite developing vapours.
- ▶ **In case the power tool should fall into the material to be stirred, pull the plug immediately and have the power tool checked by an after-sales service agent.** Material that has penetrated the power tool can cause damage and lead to an electric shock.
- ▶ **Always use the auxiliary handle supplied with the machine.** Loss of control can cause personal injury.
- ▶ **When working with the machine, always hold it firmly with both hands and provide for a secure stance.** The power tool is guided more secure with both hands.
- ▶ **Do not work materials containing asbestos.** Asbestos is considered carcinogenic.
- ▶ **Take protective measures when dust can develop during working that is harmful to one's health, combustible or explosive.** Example: Some dusts are regarded as carcinogenic. Wear a dust mask and work with dust/chip extraction when connectable.

- ▶ **Always wait until the machine has come to a complete stop before placing it down.** The tool insert can jam and lead to loss of control over the power tool.
- ▶ **Never use the machine with a damaged cable. Do not touch the damaged cable and pull the mains plug when the cable is damaged while working.** Damaged cables increase the risk of an electric shock.
- ▶ **Connect machines that are used in the open via a residual current device (RCD).**

## Functional Description



**Read all safety warnings and all instructions.** Failure to follow the warnings and instructions may result in electric shock, fire and/or serious injury.

While reading the operating instructions, unfold the graphics page for the machine and leave it open.

### Intended Use

The machine is intended for mixing pulverised building materials such as mortar, plaster, adhesives, as well as solvent-free paint, varnish and similar substances.

### Technical Data

Stirrer/Mixer		GRW 11 E PROFESSIONAL
Article number		0 601 940 7..
Rated power input	W	1150
Output power	W	670
No-load speed		
- 1st gear	rpm	0 - 400
- 2nd gear	rpm	0 - 920
Rated speed		
- 1st gear	rpm	0 - 280
- 2nd gear	rpm	0 - 640
Rated torque (1st/2nd gear)	Nm	105/50
Drive spindle dia.	"	$\frac{5}{8}$
Spindle collar dia.	mm	43
Weight according to EPTA-Procedure 01/2003	kg	4.2
Protection class		□/II

The values given are valid for nominal voltages [U] of 230/240 V. For lower voltage and models for specific countries, these values can vary.

Please observe the article number on the type plate of your machine. The trade names of the individual machines may vary.

## Product Features

The numbering of the product features refers to the illustration of the machine on the graphics page.

- 1 Gear selector
- 2 Auxiliary handle
- 3 Stirrer paddle adapter
- 4 Stirrer paddle
- 5 Drive spindle
- 6 On/Off switch
- 7 Lock-on button for On/Off switch

**\*The accessories illustrated or described are not included as standard delivery.**

## Noise/Vibration Information

Measured values determined according to EN 60745.

Typically the A-weighted noise level of the machine is: sound pressure level 87 dB(A); sound power level 98 dB(A). Uncertainty K=3 dB.

### Wear hearing protection!

The typical hand/arm vibration is below 2.5 m/s<sup>2</sup>.

**⚠ WARNING** The vibration emission level given in this information sheet has been measured in accordance with a standardised test given in EN 60745 and may be used to compare one tool with another.

The vibration emission level will vary because of the ways in which a power tool can be used and may increase above the level given in this information sheet. This could lead to a significant underestimate of exposure when the tool is used regularly in such a way.

**Note:** To be accurate, an estimation of the level of exposure to vibration experienced during a given period of work should also take into account the times when the tool is switched off and when it is running but not actually doing the job. This may significantly reduce the exposure level over the total working period.

## Declaration of Conformity

We declare under our sole responsibility that this product is in conformity with the following standards or standardization documents: EN 60745 according to the provisions of the directives 89/336/EEC, 98/37/EC.

Dr. Egbert Schneider  
Senior Vice President  
Engineering

Dr. Eckerhard Strötgen  
Head of Product  
Certification

*Dr. Egbert Schneider* i.v. *Dr. Eckerhard Strötgen*

30.10.2006, Robert Bosch GmbH, Power Tools Division  
D-70745 Leinfelden-Echterdingen

## Assembly

- ▶ **Before any work on the machine itself, pull the mains plug.**

### Auxiliary Handle

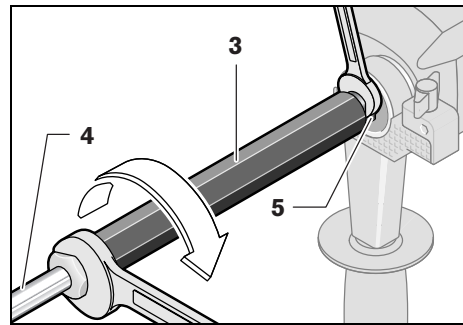
- ▶ **Operate your machine only with the auxiliary handle 2.**

The auxiliary handle **2** can be set to any position for a secure and low-fatigue working posture.

Turn the bottom part of the auxiliary handle **2** in counterclockwise direction and swivel the auxiliary handle **2** to the desired position. Then retighten the bottom part of the auxiliary handle **2** by turning in clockwise direction.

### Changing the Tool

#### Stirrer Paddle with Male Thread, Size M 14



Screw the stirrer paddle **4** with the adapter **3** onto the drive spindle **5**. Hold the drive spindle **5** in place with an open-end spanner (size 17 mm) and tighten the adapter **3** and the stirrer paddle **4** with a second open-end spanner (size 24 mm).

The stirrer paddle is disassembled in reverse order.

## Operation

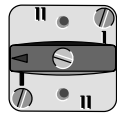
### Starting Operation

- **Observe correct mains voltage! The voltage of the power source must agree with the voltage specified on the nameplate of the machine. Power tools marked with 230 V can also be operated with 220 V.**

### Gear Selection, Mechanical

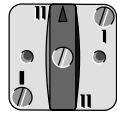
- **The gear selector 1 can be actuated at standstill or when the machine is running. However, this should not be done while operating at full load or maximum speed.**

Two speed ranges can be preselected with the gear selector 1.



#### Gear I:

Low speed range; when working with stirrer paddles with diameters up to 200 mm.



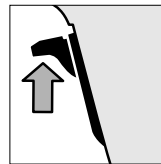
#### Gear II:

High speed range; when working with stirrer paddles with diameters up to 140 mm.

If the gear selector 1 cannot be set to the end position at standstill, turn the drive spindle with the stirrer paddle a little.

### Switching On and Off

To **start** the machine, press the On/Off switch 6 and keep it depressed.



Lock the **pushed** On/Off switch 6 by pushing the lock-on button 7 upward.

To **switch off** the machine, release the On/Off switch 6 or when it is locked with the lock-on button 7, briefly press the On/Off switch 6 and then release it.

### Adjusting the Speed

The speed of the switched on power tool can be variably adjusted, depending on how far the On/Off switch 6 is pressed.

Light pressure on the On/Off switch 6 results in a low rotational speed. Further pressure on the switch results in an increase in speed.

## Operating Instructions

The choice of stirrer paddle depends on the material to be stirred. For materials with low viscosity, e. g., dispersion paint, varnish, adhesions, casting compound, cement grout, etc., use a stirrer paddle with left-hand spiral.

For materials with high viscosity, e. g., ready-mixed plaster, concrete, cement, screed, filler, epoxy resin, etc., use a stirrer paddle with right-hand spiral.

While mixing, move the power tool in an up and down motion. Clean the stirrer paddle after use.

## Maintenance and Service

### Maintenance and Cleaning

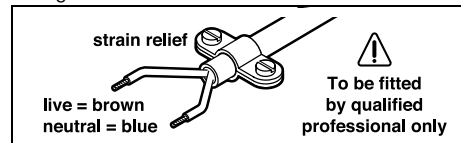
- **Before any work on the machine itself, pull the mains plug.**
- **For safe and proper working, always keep the machine and ventilation slots clean.**

If the machine should fail despite the care taken in manufacturing and testing procedures, repair should be carried out by an after-sales service centre for Bosch power tools.

In all correspondence and spare parts order, please always include the 10-digit article number given on the type plate of the machine.

### **WARNING! Important instructions for connecting a new 3-pin plug to the 2-wire cable.**

The wires in the cable are coloured according to the following code:



Do **not** connect the blue or brown wire to the earth terminal of the plug.

**Important:** If for any reason the moulded plug is removed from the cable of this power tool, it must be disposed of safely.

## Service and Customer Assistance

Exploded views and information on spare parts can be found under:  
**www.bosch-pt.com**

### Great Britain

Robert Bosch Ltd. (B.S.C.)  
P.O. Box 98  
Broadwater Park  
North Orbital Road  
Denham-Uxbridge  
Middlesex UB 9 5HJ  
☎ Service: ..... +44 (0) 18 95 / 83 87 82  
☎ Advice line: ..... +44 (0) 18 95 / 83 87 91  
Fax: ..... +44 (0) 18 95 / 83 87 89

### Ireland

Origo Ltd.  
Unit 23 Magna Drive  
Magna Business Park  
City West  
Dublin 24  
☎ Service: ..... +353 (0)1 / 4 66 67 00  
Fax: ..... +353 (0)1 / 4 66 68 88

### Australia and New Zealand

Robert Bosch Australia Pty. Ltd.  
RBAU/SPT  
1555 Centre Road  
P.O. Box 66  
3168 Clayton/Victoria  
☎ ..... +61 (0)1 / 3 00 30 70 44  
Fax: ..... +61 (0)1 / 3 00 30 70 45  
[www.bosch.com.au](http://www.bosch.com.au)

## Disposal

The machine, accessories and packaging should be sorted for environmental-friendly recycling.

### Only for EC countries:



Do not dispose of power tools into household waste!  
According the European Guideline 2002/96/EC for Waste Electrical and Electronic Equipment and its implementation into national right, power tools that are no longer usable must be collected separately and disposed of in an environmentally correct manner.

**Subject to change without notice.**